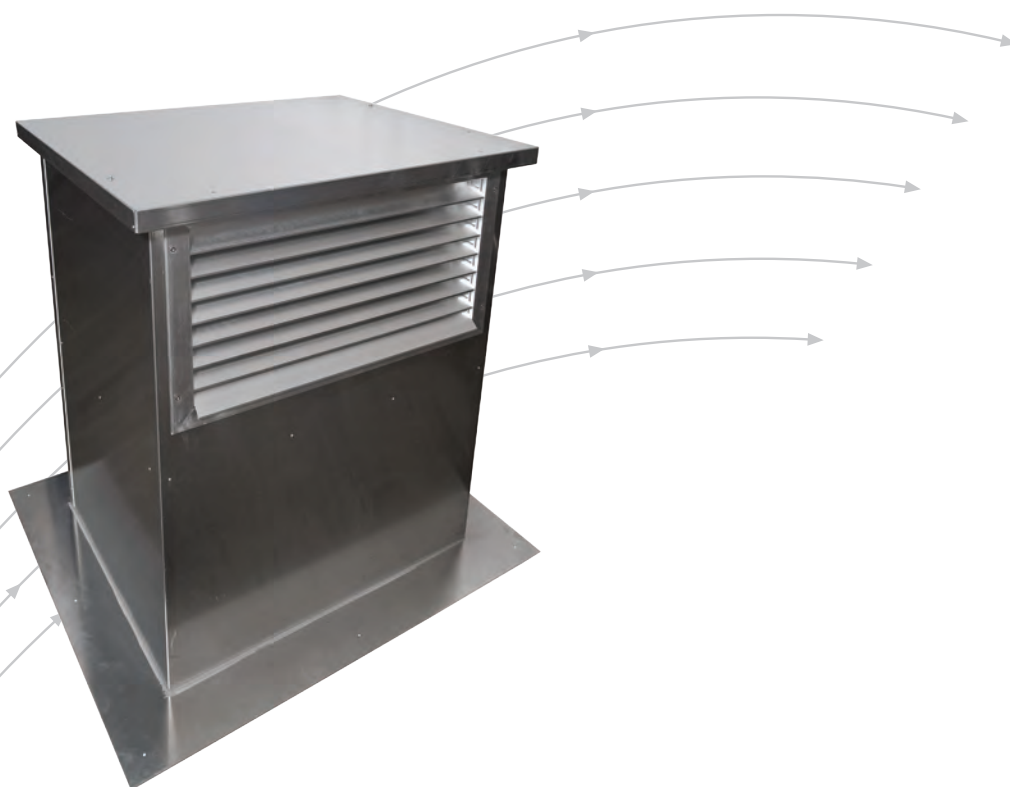


Lift shaft ventilation

Roof construction with built-in damper
Type DAB-Lift



TROX[®] TECHNIK



The art of handling air

TROX HESCO Schweiz AG
Walderstrasse 125
Postfach 455
CH-8630 Rüti ZH

Tel. +41 55 250 71 11
Fax +41 55 250 73 10
www.troxhesco.ch
info@troxhesco.ch

Contents · Description · Electrical connection · Application · Safety instructions

Contents

Description · Electrical connection · Application ·	
Safety instructions _____	2
Dimensions · Installation _____	3
Connection diagram · Order details _____	4

Description

Roof construction with built-in lift shaft ventilation damper, type DAB-Lift, consisting of a roof construction insulated with a 13mm EPDM made of aluminium, with WSL weather protection grill and an internally installed louvre damper made of aluminium, with 230V (24V) spring return actuator and room thermostat with two switching points (25°C/35°C).

Options:

- Louvre damper type JZ-LL-AL (airtight versions according to EN1751/class 4) with 230V (24V) spring return actuator and room thermostat with two switching points (25°C/35°C)
- Insulated versions of the louvre damper to prevent condensation water (frame and blades insulated with 13mm EPDM)
- DAB and weather protection grille, RAL powder coated as selected

Application

Suitable for outside placement on flat roofs. The thermostat is delivered loose and must be installed in the hot room. The free profile covers all sizes of lift. Due to the simple-to-remove weather protection grille, the unit is easy to service and clean.

Electrical connection

Voltage	Type
AC/DC24V	LF24-ST (4Nm)
AC 230 V	LF230 (4NM)

Airtight damper:

AC/DC24V	SF24-ST (15NM)
AC 230 V	SF230 (15Nm)

Note:

The electrical supply may be installed in the same protection pipe as the shaft lighting.

Safety instructions

CAUTION!

Risk of injury from sharp edges and corners, ridges and thin-walled sheet metal parts!

- Proceed carefully with all work.
- Wear protective gloves, safety shoes and protective helmet.

DANGER!

Electric shock when touching live parts. Electrical equipment is under dangerous electrical voltage. Non-compliance may lead to death, serious physical harm or material damage!

- Only electrical specialists may work on electrical components.
- Switch off the power supply voltage prior to electrical work.

WARNING!

Risk of injury due to insufficient qualifications!

Improper handling may lead to considerable personal harm or material damage.

- All activities may only be carried out by suitably qualified staff.

WARNING!

Danger from incorrect use. Misuse of the product may lead to dangerous situations.

The product must not be used:

- in areas subject to explosion hazards;
- in the open air without sufficient protection against weather effects;
- in atmospheres that may have a damaging and/or corrosive effect on the product due to scheduled or unscheduled chemical reactions.

CAUTION!

Damage to the product due to improper handling. Check the device for damage and contamination prior to operation!

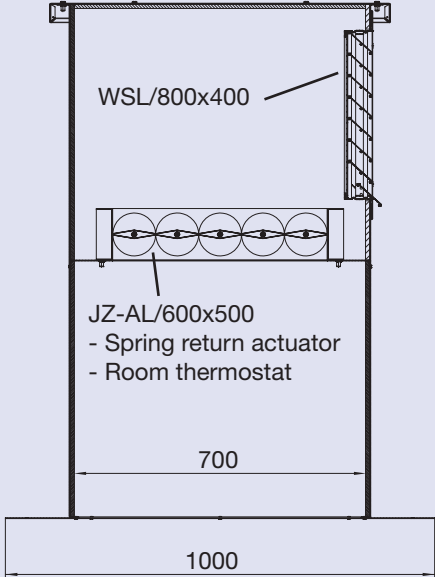
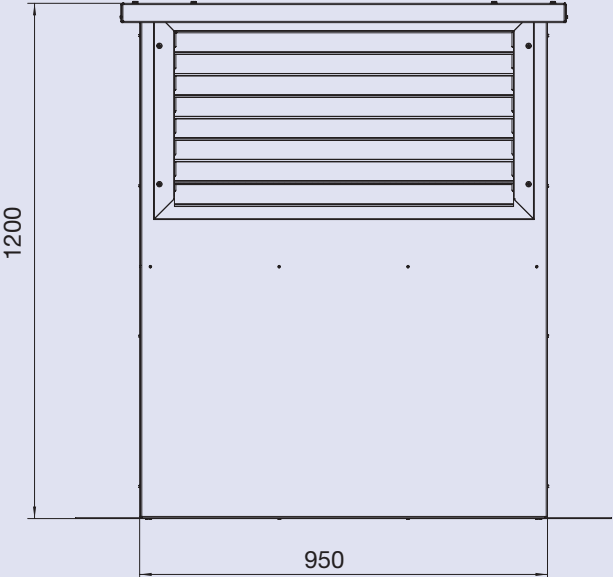
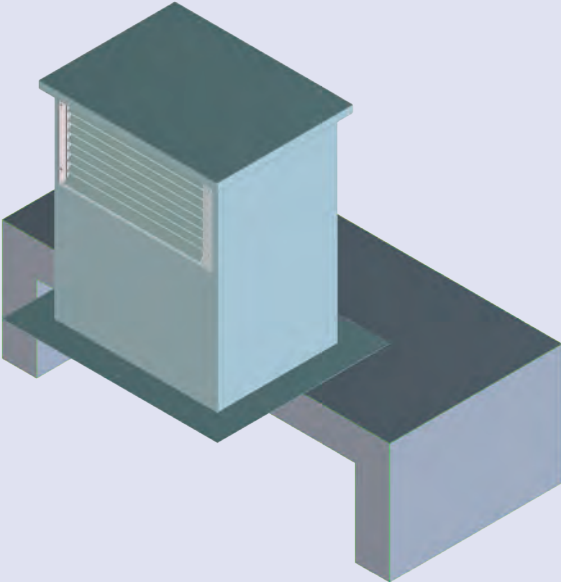
Improper handling may lead to considerable material damage of the product.

- Do not use any acid or abrasive cleaning agents.
- Adhesives from sticky tape may lead to colour damage.
- Excessive moisture may lead to colour damage and corrosion.
- Use only cleaning agents, greases and oils that are expressly specified.

Dimensions

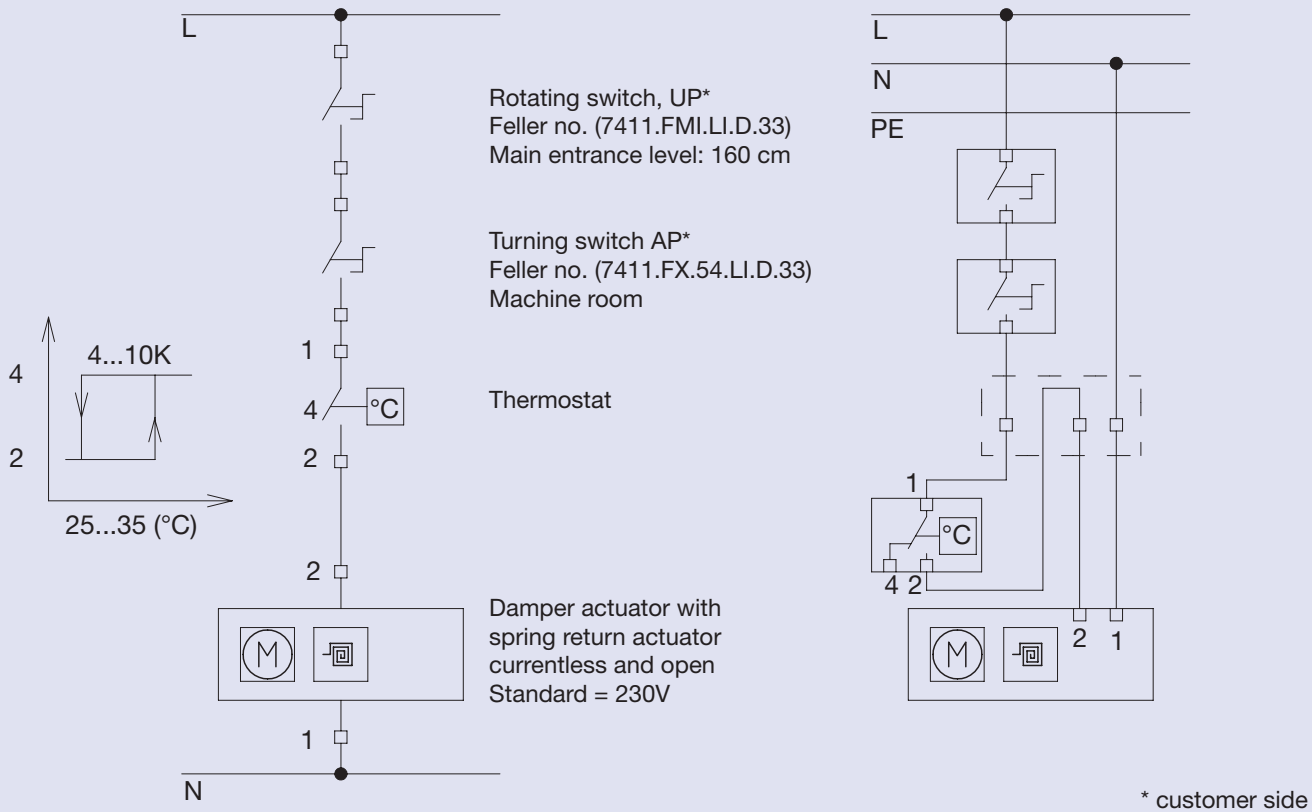
Type	Dimension (axbxh, in mm)	Free profile Weather protection grille (in m ²)	For lift shaft profile (in m ²)
DAB-Lift...	950x700x1200	0,192	For all sizes

Installation

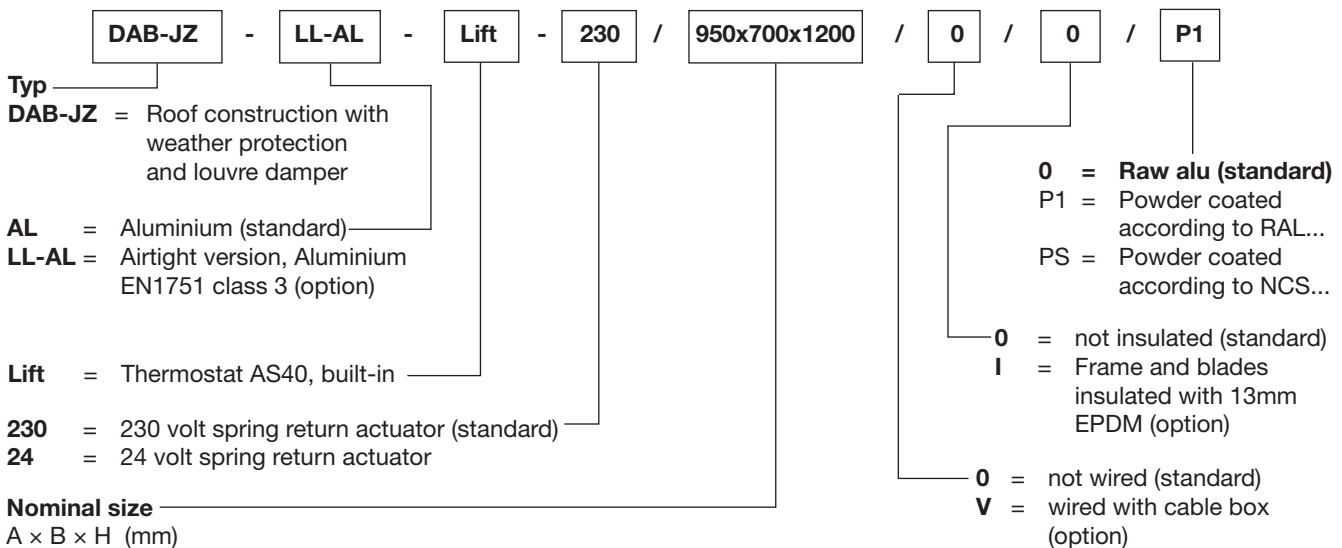


Connection diagram · Order details

Connection diagram



Order codes



Order example

2 units DAB-JZ-AL-Lift-230 / 950x700x1200 / V / I