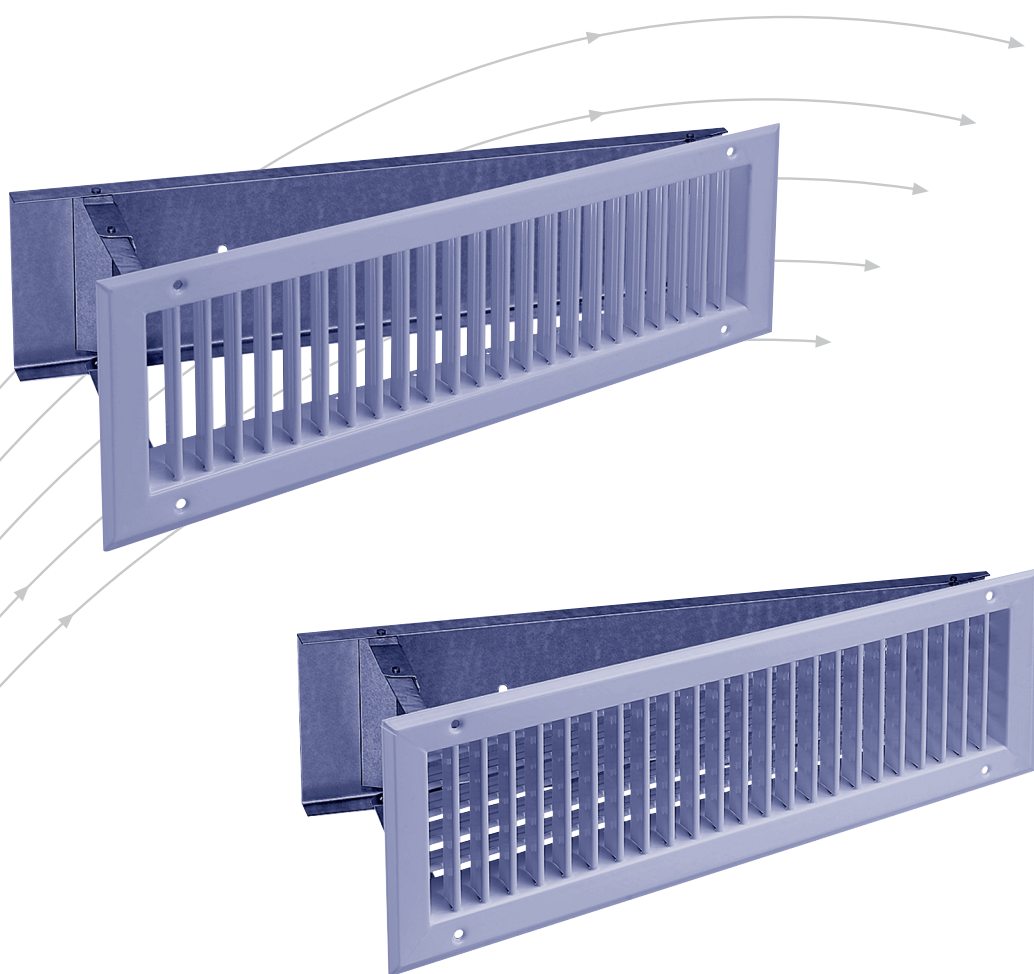


Diffusion grilles

Type DG7 / DG17



TROX® **TECHNIK**



TROX HESCO Schweiz AG
Walderstrasse 125
Postfach 455
CH - 8630 Rüti ZH

Tel. +41 55 250 71 11
Fax +41 55 250 73 10
www.troxhesco.ch
info@troxhesco.ch

Contents · Application · Realisation · Safety instructions

Contents

Application · Realisation · Safety instructions	2
Rapid selection · Dimensions · Installation	3
Order Details	4

Application

Type DG7 Exhaust air grille
Type DG17 Supply air grille

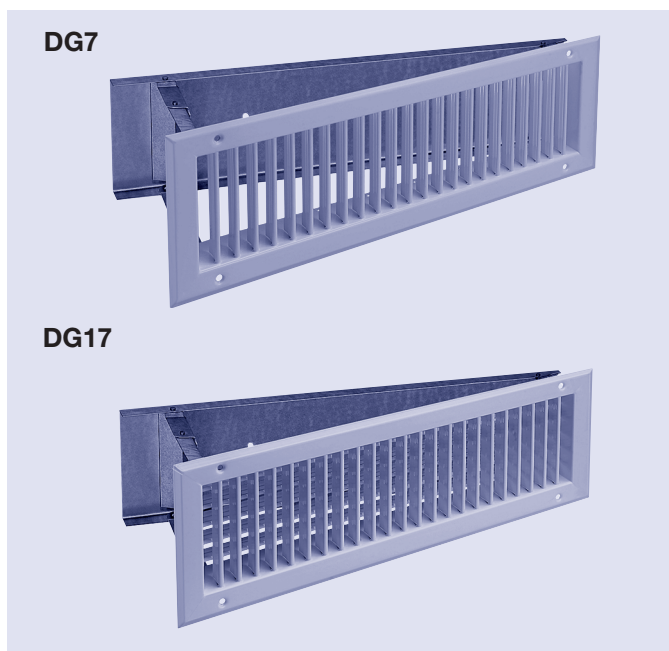
Air supply grille specially designed for industrial systems with high-velocity ducts. In combination with the baffle plate, the tilt-down closure panel provides good flow-rate control and uniform air distribution to both grille halves. For air-conditioning systems, we recommend the DG 5 since it provides better air control and direction.

Realisation

Folded section angular frame with countersunk mounting holes and glued-on foam gasket. Deflector with baffle plate for flow-rate control mounted on back side.

Grille: steel powder coated, color RAL 9010, silky sheen, 60% brilliance.

Deflector: sendzimir-galvanized steel



Type DG7

Grille as DG3 with individually adjustable **vertical** blades only.

Type DG17

Grille as DG1 with individually adjustable **vertical** and **horizontal** blades.

Safety instructions

CAUTION!

Risk of injury from sharp edges and corners, ridges and thin-walled sheet metal parts!

- Proceed carefully with all work.
- Wear protective gloves, safety shoes and protective helmet.

WARNING!

Danger from incorrect use. Misuse of the product may lead to dangerous situations.

The product must not be used:

- in areas subject to explosion hazards;
- in the open air without sufficient protection against weather effects;
- in atmospheres that may have a damaging and/or corrosive effect on the product due to scheduled or unscheduled chemical reactions.

CAUTION!

Damage to the product due to improper handling. Check the device for damage and contamination prior to operation!

Improper handling may lead to considerable material damage of the product.

- Do not use any acid or abrasive cleaning agents.
- Adhesives from sticky tape may lead to colour damage.
- Excessive moisture may lead to colour damage and corrosion.
- Use only cleaning agents, greases and oils that are expressly specified.

Rapid selection · Dimensions · Installation

Dimensions / Rapid selection

The diffusion grilles DG7 and DG17 are available only in the sizes listed below.

Stock assortment

Nom. length B [mm]	Nominal height												C [mm]	D [mm]
	ZL [m³/h]	H [mm]	AL [m³/h]	ZL [m³/h]	H [mm]	AL [m³/h]	ZL [m³/h]	H [mm]	AL [m³/h]	ZL [m³/h]	H [mm]	AL [m³/h]		
200	83	50	97	167	100	195							167	-
250				209	100	243							217	-
300	125	50	146	250	100	292	375	150	438				267	-
400	167	50	195	334	100	390	500	150	585	667	200	780	367	-
500	208	50	243	417	100	487	625	150	730	834	200	974	467	-
600	250	50	292	500	100	584	750	150	876	1000	200	1168	567	283.5
750	313	50	365	625	100	730	938	150	1095	1250	200	1460	717	358.5
900				750	100	876	1125	150	1314	1500	200	1752	867	433.5

Base: Directly flowing resp. flowing off

ZL = supply air, $v_{\text{eff}} = 3.0 \text{ m/s}$, $\Delta p_s = 3.5 \text{ Pa}$

AL = exhaust air, $v_{\text{eff}} = 3.5 \text{ m/s}$, $\Delta p_s = 8 \text{ Pa}$

L_w for nominal dimension 600 x 100 mm:

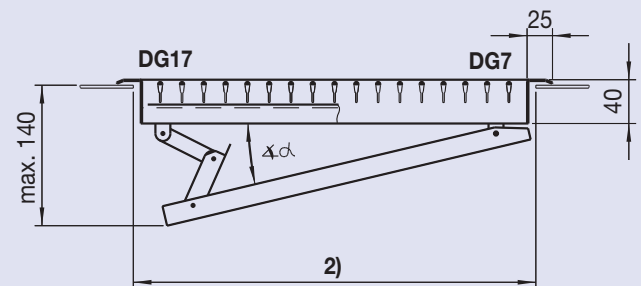
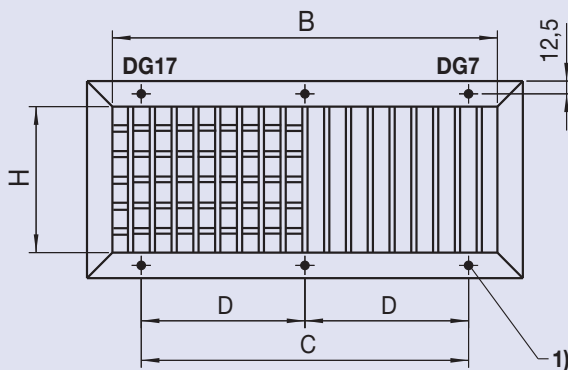
$L_{wZL} = 21 \text{ dB(A)}$, $L_{wAL} = 25 \text{ dB(A)}$

Legend

v_{eff} = velocity of effective air

Δp_s = static pressure drop

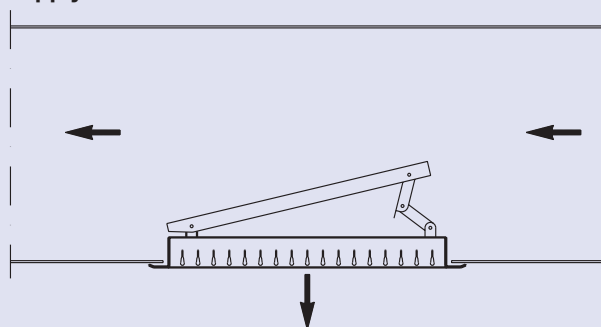
L_w = sound power level



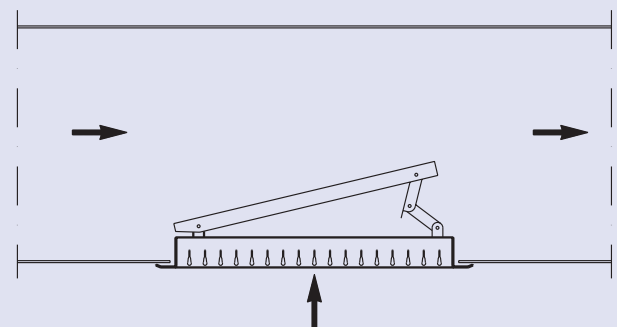
1) Countersunk mounting holes $\varnothing 4.8 \times 90^\circ$

2) Opening in sheet metal duct $B + 15 + \frac{2}{0} \text{ mm}$, $H + 10 + \frac{2}{0} \text{ mm}$

Supply air



Exhaust air



Installation

When using sheet metal ducts, the grilles are screwed on directly. For brickwork or plaster ducts we recommend the use of our DG mansory frame.

Special model

Screwless mounting (designation SL)

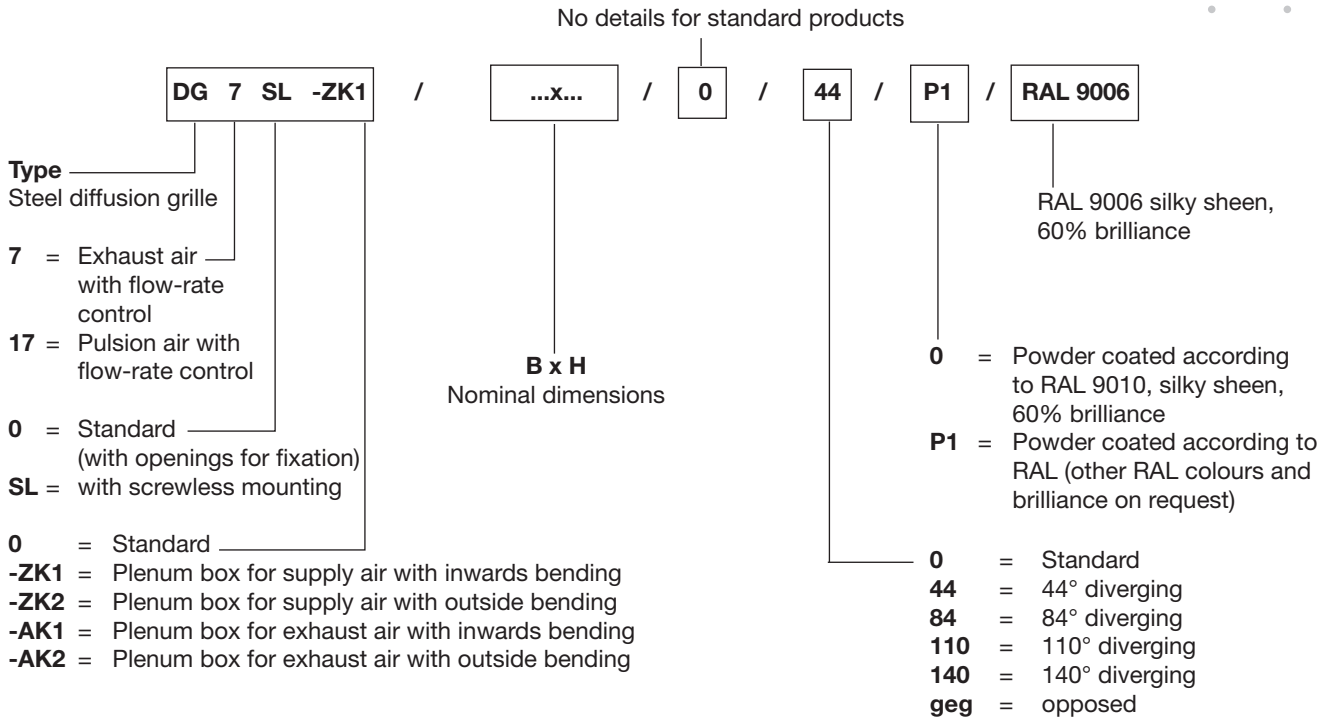
Dimensioning

Air velocity, flow rate, and pressure drop values are found in 'Dimensioning of TROX HESCO diffusion grilles' L-02-5-01e.

The effective free area in the exhaust plane is 77% of the nominal area $B \times H$.

Order Details

Order codes



Order examples

35 off DG17 -ZK1 / 600 x 100 / 44 / P1 / RAL9006
 25 off DG7 SL -AK1 / 900 x 200

Text for tendering purposes

Type DG17

Diffusion grille (supply air) with vertical (in front) and horizontal (behind) blades in streamlined form. Blades space 16.66 mm, dimension of the border 25 mm with gasket of foamed plastics, fastening by screw (sinkholes in the border). Deflector with baffle plate for flow-rate control mounted on back side.

Material

Grille: Steel powder coated RAL 9010, silky sheen, 60% brilliance.
 Deflector: sendzimir-galvanized steel

Type DG7

Diffusion grille with vertical blades in streamlined form. Blades space 16.66 mm, dimension of the border 25 mm with gasket of foamed plastics, fastening by screw (sinkholes in the border). With screw-mounted damper consisting of coupled vertical countercurrent flaps. Deflector with baffle plate for flow-rate control mounted on back side.

Material

Grille: Steel powder coated RAL 9010, silky sheen, 60% brilliance.
 Deflector: sendzimir-galvanized steel