

# Lift shaft ventilation

Round lift shaft ventilation damper  
Type AKE-Lift



**TROX<sup>®</sup> TECHNIK**



The art of handling air

TROX HESCO Schweiz AG  
Walderstrasse 125  
Postfach 455  
CH-8630 Rüti ZH

Tel. +41 55 250 71 11  
Fax +41 55 250 73 10  
[www.troxhesco.ch](http://www.troxhesco.ch)  
[info@troxhesco.ch](mailto:info@troxhesco.ch)

# Contents · Description · Application · Electrical connection · Deployment · Safety instructions

## Contents

Description · Application · Electrical connection ·	
Deployment · Safety instructions	2
Dimensions · Installation	3
Connection diagram · Order details	4

## Description

Round lift shaft ventilation damper, type AKE-Lift consisting of a round shutoff damper, type AKE, made of galvanized sheet steel with 230V (24V) spring return actuator and room thermostat with two switching points (25°C/35°C).

### Options:

- Thermostat and actuator wired with cable box

## Application

Round damper for lift shaft ventilation also suitable as an air vent damper.

## Electrical connection

Voltage	Type
AC/DC24V	LF24-ST (4Nm)
AC 230 V	LF230 (4NM)

### Note:

The electrical supply may be installed in the same protection pipe as the shaft lighting.

## Deployment

Suitable for use in solid walls and ceilings, in conjunction with a round duct system.

Leakage air flow for closed damper according to EN1751, class 4.

Casing leakage air flow according to EN1751, class C Hygienically tested according to VDI6022 and Swiss SWKI (SCBTE) guidelines, VA104-01 (04/2006), 99-3 (04/2003)

## Safety instructions

### CAUTION!

**Risk of injury from sharp edges and corners, ridges and thin-walled sheet metal parts!**

- Proceed carefully with all work.
- Wear protective gloves, safety shoes and protective helmet.

### DANGER!

**Electric shock when touching live parts. Electrical equipment is under dangerous electrical voltage. Non-compliance may lead to death, serious physical harm or material damage!**

- Only electrical specialists may work on electrical components.
- Switch off the power supply voltage prior to electrical work.

### WARNING!

**Risk of injury due to insufficient qualifications!**

Improper handling may lead to considerable personal harm or material damage.

- All activities may only be carried out by suitably qualified staff.

### WARNING!

**Danger from incorrect use. Misuse of the product may lead to dangerous situations.**

The product must not be used:

- in areas subject to explosion hazards;
- in the open air without sufficient protection against weather effects;
- in atmospheres that may have a damaging and/or corrosive effect on the product due to scheduled or unscheduled chemical reactions.

### CAUTION!

**Damage to the product due to improper handling. Check the device for damage and contamination prior to operation!**

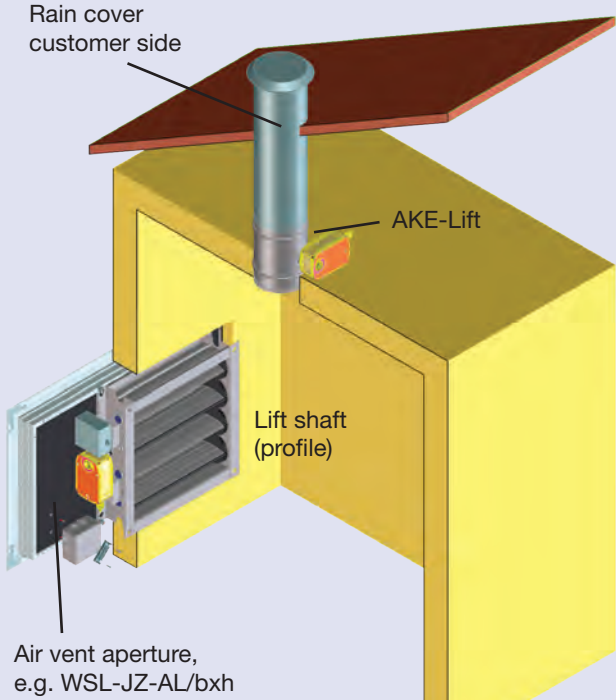
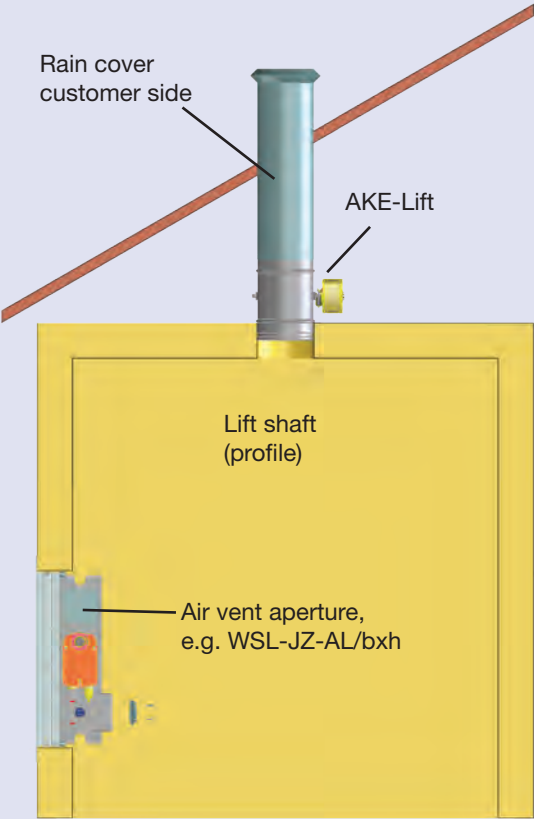
Improper handling may lead to considerable material damage of the product.

- Do not use any acid or abrasive cleaning agents.
- Adhesives from sticky tape may lead to colour damage.
- Excessive moisture may lead to colour damage and corrosion.
- Use only cleaning agents, greases and oils that are expressly specified.

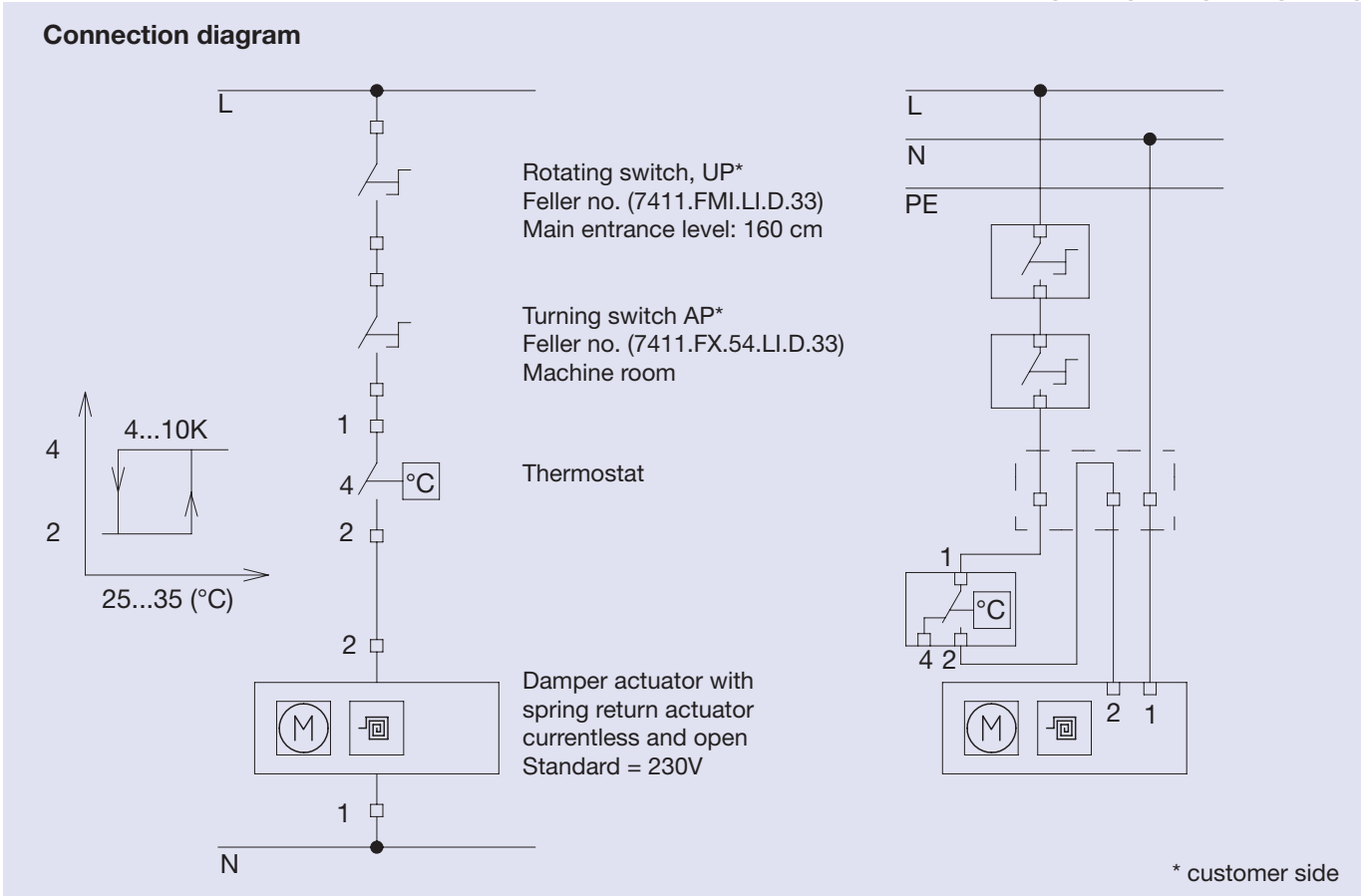
## Dimensions

Type	Dimension (Ø in mm)	Free profile of the damper (in m <sup>2</sup> )	For lift shaft profile (in m <sup>2</sup> )
AKE-Lift/230	200	0,030	Up to 3,0
AKE-Lift/230	250	0,049	Up to 4,9

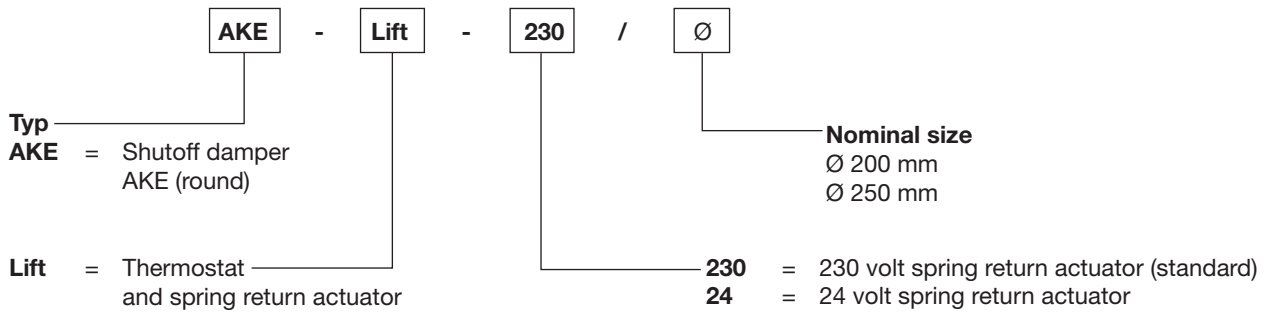
## Installation



# Connection diagram · Order details



## Order codes



## Order example

4 units AKE - Lift - 230 / 200