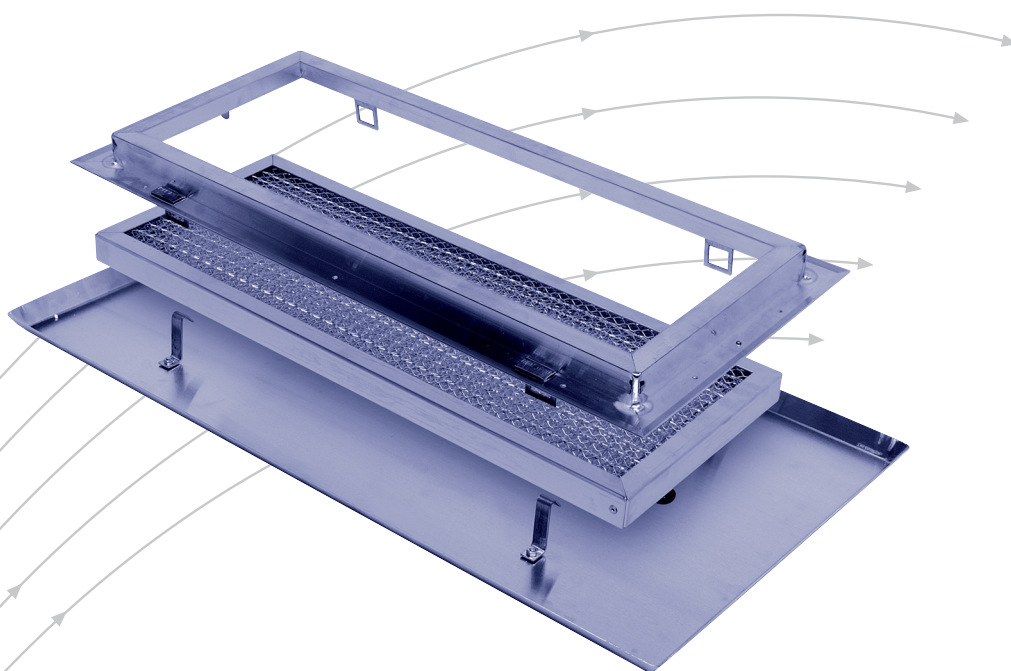


Grease filter

Types FA, FF, FL, FLT, FLTS, KF, FB and FBW



TROX[®] TECHNIK



The art of handling air

TROX HESCO Schweiz AG
Walderstrasse 125
Postfach 455
CH-8630 Rüti ZH

Tel. +41 55 250 71 11
Fax +41 55 250 73 10
www.troxhesco.ch
info@troxhesco.ch

Contents

Grease filter type FA - horizontal installation Application · Realisation · Dimensions	3
Grease filter type FF - vertical installation Application · Realisation · Dimensions	4
Grease filter type FL - vertical installation Application · Realisation · Dimensions	5
Grease filter type FLT - vertical installation Grease filter type FLTS - slanted installation Application · Realisation · Dimensions	6
Grease filter type KF - vertical installation Application · Realisation · Dimensions	7
Installation	8
Technical Data	9
Grease filter type FB Application · Realisation · Dimensions · Installation	10
Grease filter type FBW Application · Realisation · Dimensions · Installation	11
Technical Data	12

Safety instructions



CAUTION!

Risk of injury from sharp edges and corners, ridges and thin-walled sheet metal parts!

- Proceed carefully with all work.
- Wear protective gloves, safety shoes and protective helmet.

Remark:

Items in bold type are available from stock.



WARNING!

Danger from incorrect use. Misuse of the product may lead to dangerous situations.

The product must not be used:

- in areas subject to explosion hazards;
- in the open air without sufficient protection against weather effects;
- in atmospheres that may have a damaging and/or corrosive effect on the product due to scheduled or unscheduled chemical reactions.



CAUTION!

Damage to the product due to improper handling. Check the device for damage and contamination prior to operation!

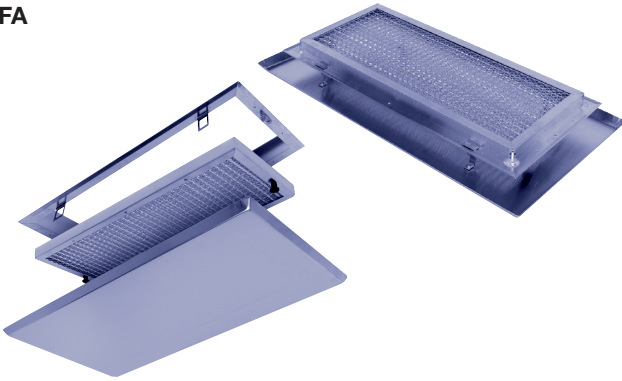
Improper handling may lead to considerable material damage of the product.

- Do not use any acid or abrasive cleaning agents.
- Adhesives from sticky tape may lead to colour damage.
- Excessive moisture may lead to colour damage and corrosion.
- Use only cleaning agents, greases and oils that are expressly specified.

Application · Realisation · Dimensions

- Grease filter type FA
- Filter cell with mounting frame of aluminium and attached grease drip tray for horizontal installation

FA



Application

Grease filter **type FA** are suitable for exhaust systems at hotel- and other kitchens, canteens, etc.

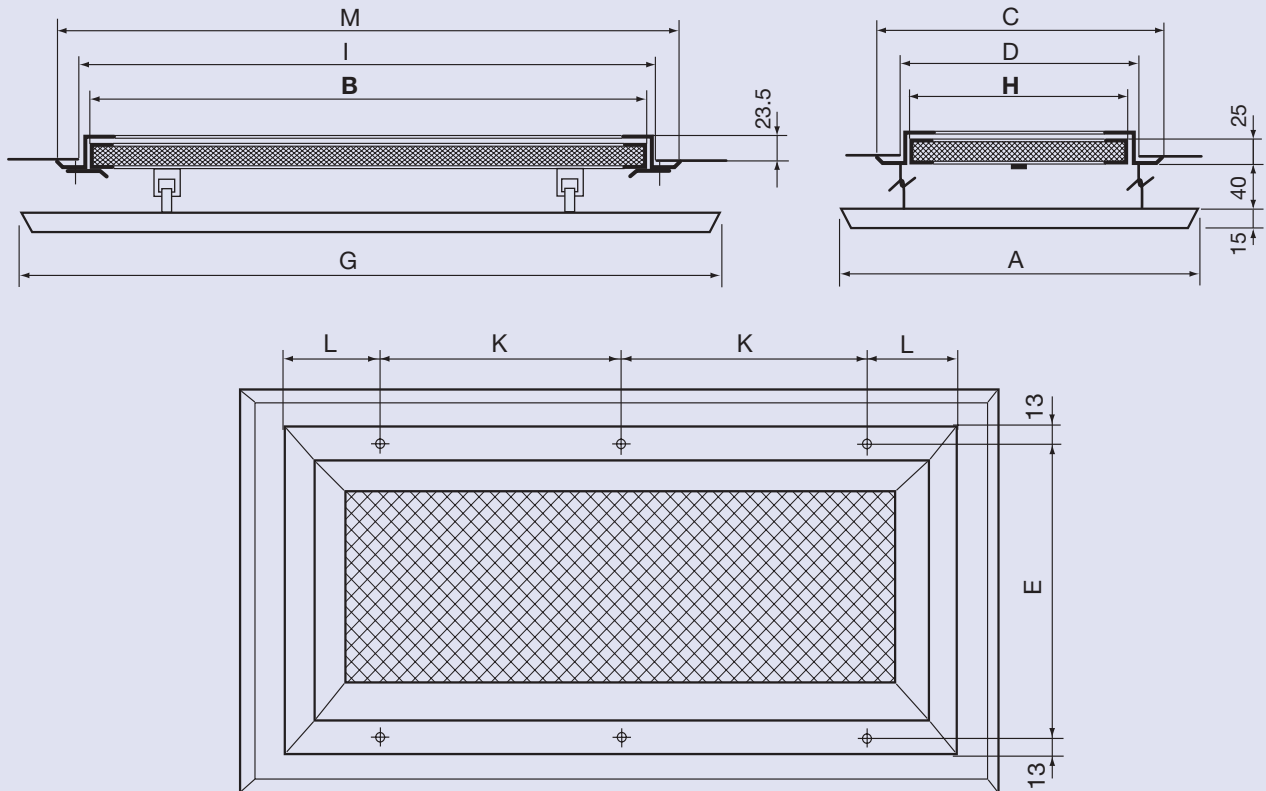
Realisation

A complete filter unit consists of:

- 1 filter cell of aluminium weaving
- 1 mounting frame of sectional aluminium
- 1 attached grease drip tray of aluminium sheet

Cleaning: Remove filter element and dip and turn it thoroughly in hot water with an added detergent. Afterwards rinse it well with ordinary clean hot water.

Dimensions



Type	ND B × H	A	C	D	E	G	I	K	L	M	Recommended max. volumen flow rate [m ³ /h]
FA 0	200×200	320	253	212	227	320	212	227	13	251	200
FA 1	500×200	320	253	212	227	620	512	201	75	551	500
FA 2	500×350	470	403	362	377	620	512	201	75	551	1000
FA 3	500×500	620	553	512	527	620	512	201	75	551	1500

Application · Realisation · Dimensions

Grease filter type FF Filter cell and mounting frame with dripping gutter for vertical installation

Application

Grease filter **type FF** are suitable for large and small kitchens.

Realisation

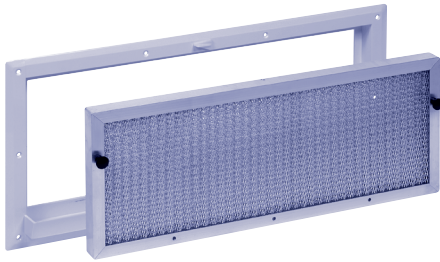
FF 15 + 20

A complete filter unit consists of:

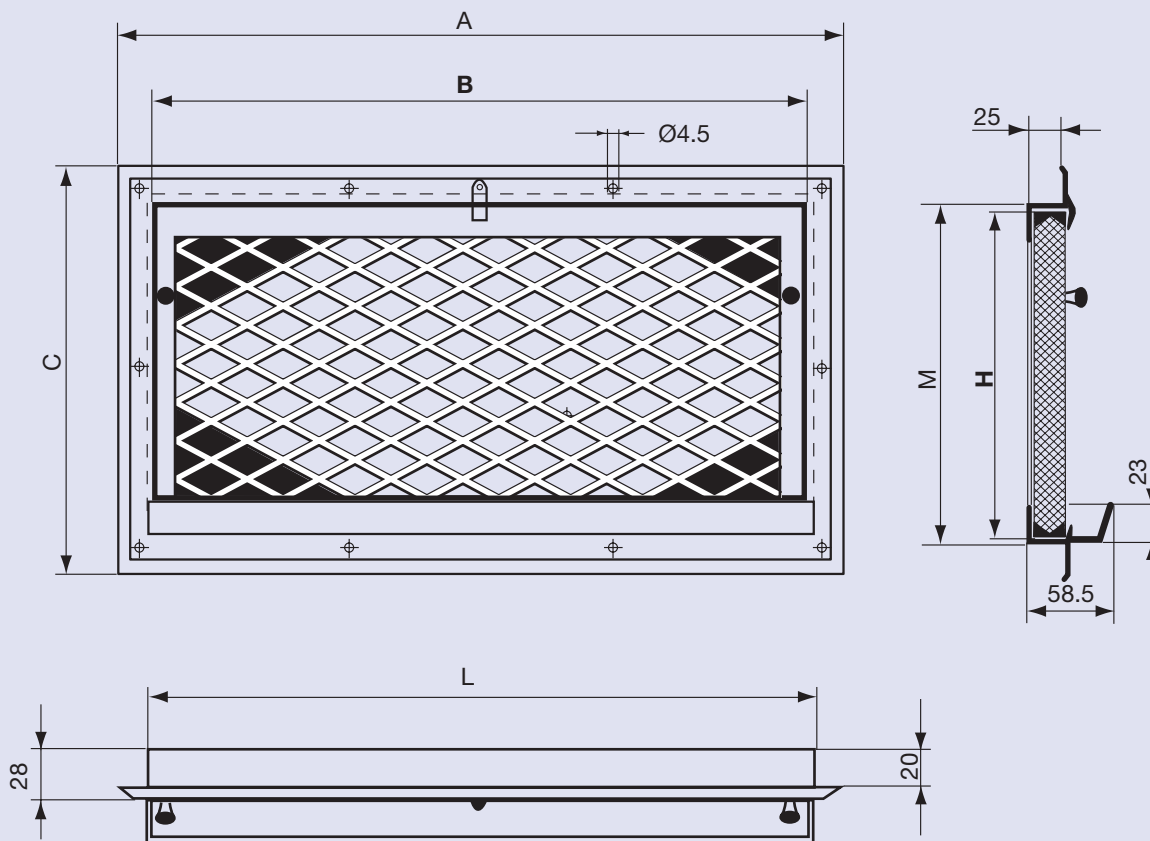
- 1 Filter cell of aluminium weaving, filter cell frame of aluminium
- 1 mounting frame of plastic with dripping gutter, permissible operating temperature 80° C. Radiation-heat must also be considered.

Cleaning in hot water with an added detergent.

FF



Dimensions type FF



Type	ND	B	H	A	C	L	M	Recommended max. volumen flow rate [m³/h]
FF 15	500×150	499	149	554	204	507	158	350
FF 20	500×200	499	199	554	254	507	208	500

Application · Realisation · Dimensions

Grease filter type FL

Filter cell and mounting frame of aluminium
(without dripping gutter)
for vertical installation

Application

Grease filter **typy FL** are suitable for large and small kitchens.

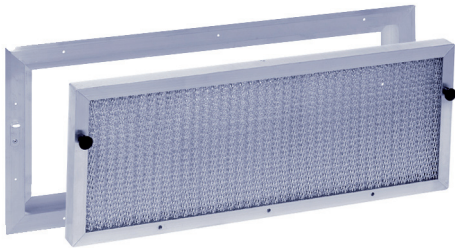
Realisation

A complete filter unit consists of:

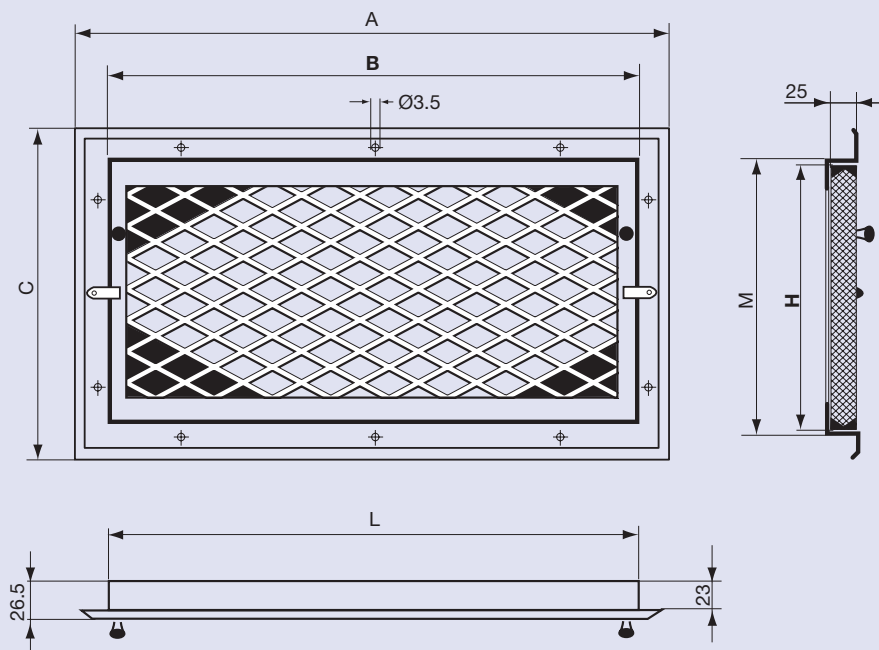
- 1 Filter cell of aluminium weaving,
- filter cell frame of aluminium (without dripping gutter)
- 1 mounting frame of aluminium (without dripping gutter)

Cleaning in hot water with an added detergent.

FL



Dimensions type FL



Type	NW	B	H	A	C	L	M	Recommended max. volume flow rate [m ³ /h]
FL 0	200×200	199	199	251	251	205	205	200
FL 15	500×150	499	149	551	201	505	155	350
FL 20	500×200	499	199	551	251	505	205	500
FL 25	500×250	499	249	551	301	505	255	700
FL 35	500×350	499	349	551	401	505	355	1000
FL 50	500×500	499	499	551	551	505	505	1500

Application · Realisation · Dimensions

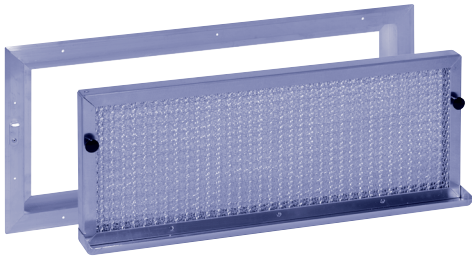
Grease filter type FLT

Filter cell with welded dripping gutter and mounting frame of aluminium
for vertical installation 0 - 10°

Grease filter type FLTS

Filter cell with welded dripping gutter and mounting frame of aluminium
for slanted installation 10° - 30°

FLT



Application

Grease filter **type FLT and FLTS** are suitable for large and small kitchens.

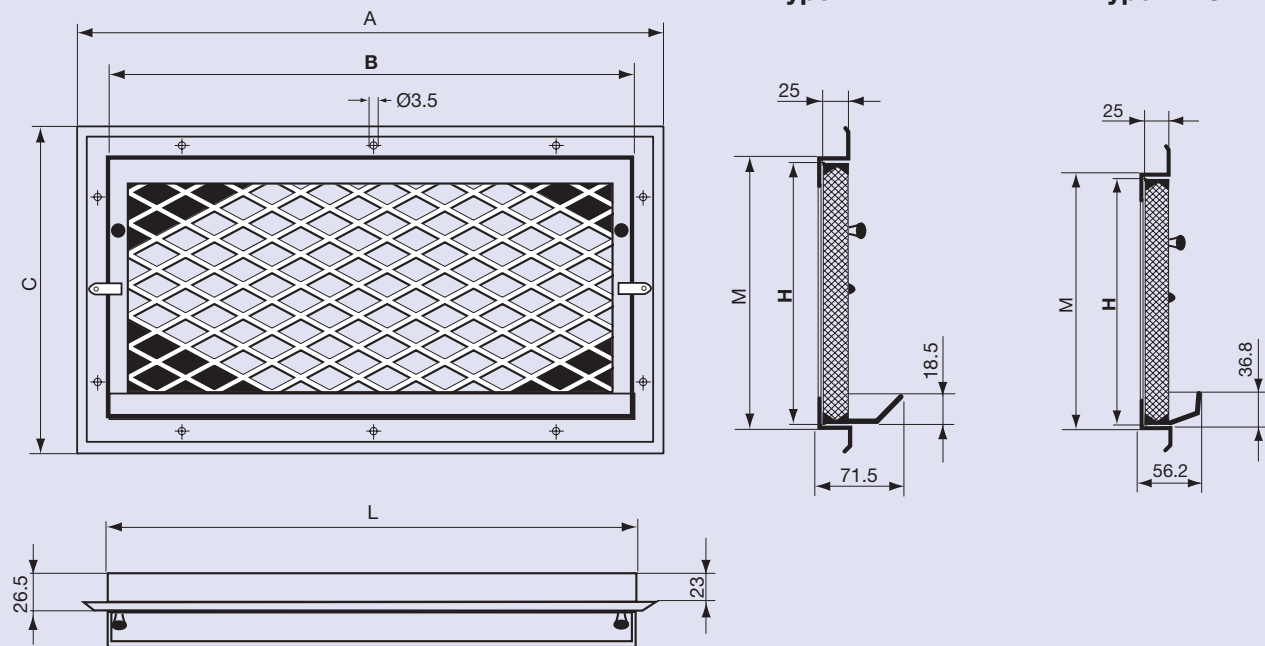
Realisation

A complete filter unit consists of:

- 1 Filter cell of aluminium weaving,
- filter cell frame of aluminium with welded dripping gutter
- 1 mounting frame of aluminium

Cleaning in hot water with an added detergent.

Dimensions types FLT and FLTS

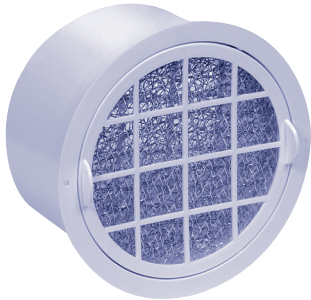


Type	NW	B	H	A	C	L	M	Recommended max. volumen flow rate [m ³ /h]
FLT 15	500×150	499	151	553	203	505	156	350
FLT 20	500×200	499	201	553	253	505	206	500
FLT 25	500×250	499	251	553	303	505	256	700
FLT 35	500×350	499	301	553	353	505	306	1000
FLTS 15	500×150	499	151	553	203	505	156	350
FLTS 20	500×200	499	201	553	253	505	206	500
FLTS 25	500×250	499	251	553	303	505	256	700

Application · Realisation · Dimensions

Grease filter type KF Filter cell and mounting frame for vertical installation

KF1



Application

Grease filter type **KF** are intended for domestic kitchen exhaust ventilation.

Realisation

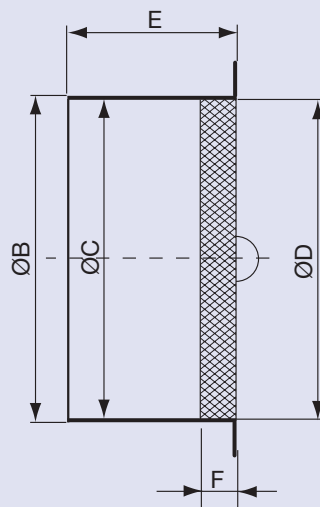
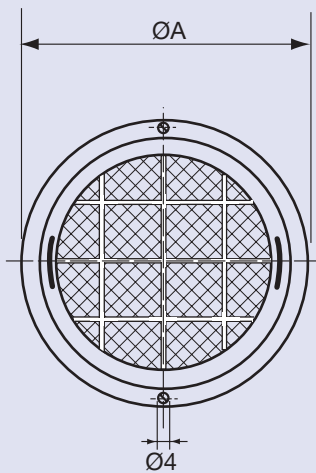
KF1

A complete filter unit consists of:

- 1 Filter cell of aluminium weaving, filter cell housing of white plastic
- 1 mounting frame of white plastic, permissible operating temperature 80° C.

Cleaning in hot water with an added detergent.

Dimensions type KF1

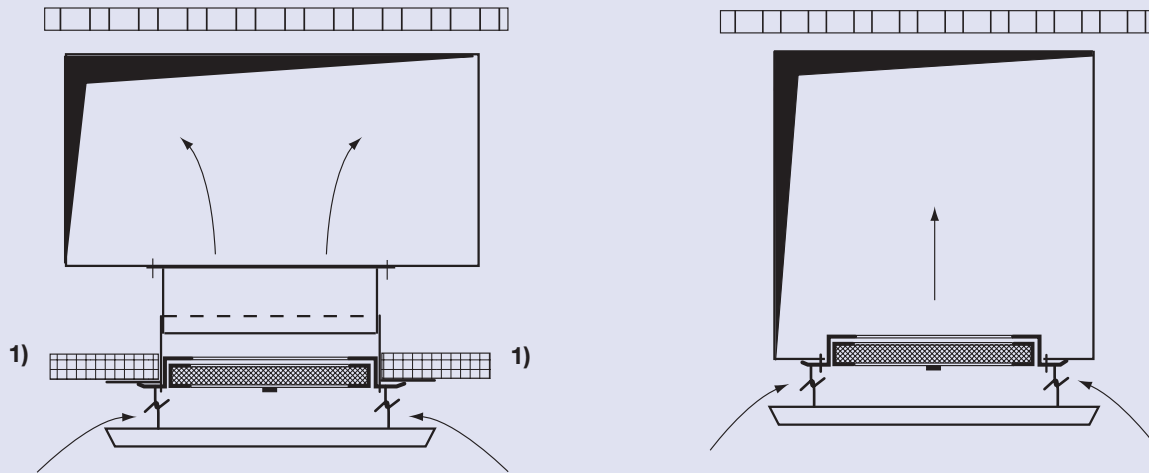


Type	ND	ØA	ØB	ØC	ØD	E	F	Recommended max. volumen flow rate [m³/h]
KF 1	145	170	150	144.8	145	90	25	100

Installation

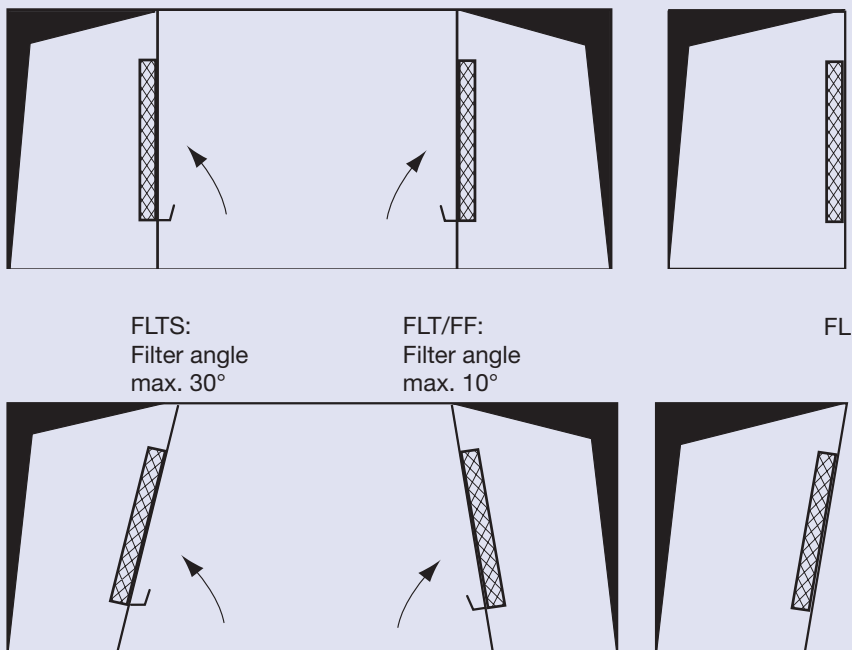
Installation

Grease filter type FA are being installed horizontally beneath the exhaust air duct.



1) Suspended ceiling

Grease filters type FF, FLT, FL are installed vertically, laterally into the exhaust air duct.

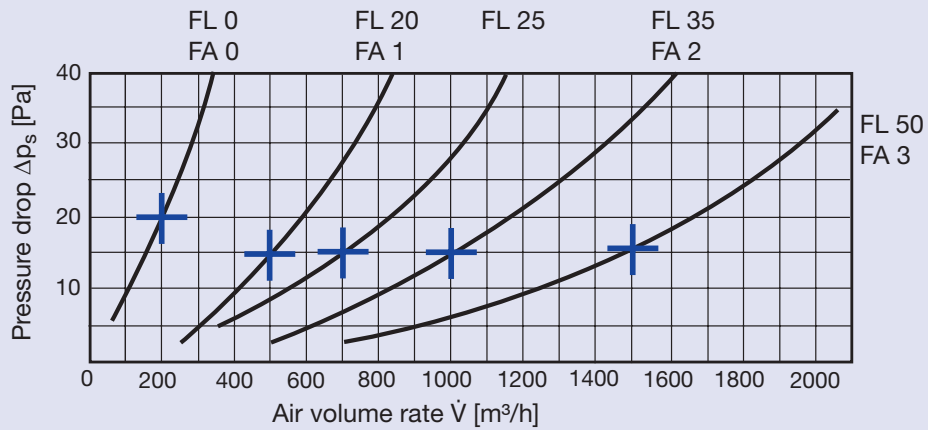


Application · Realisation · Dimensions · Installation

Dimensioning

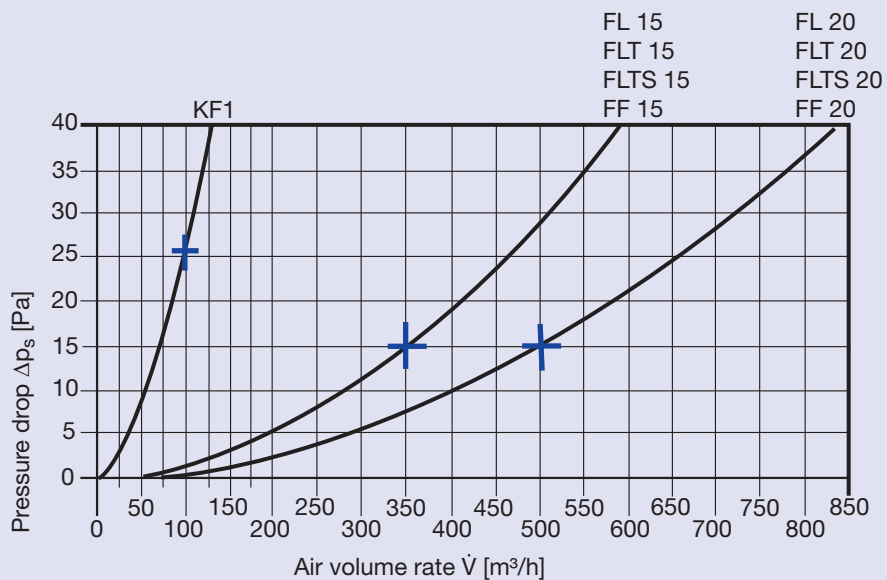
We recommend the following maximum air volume rate:

FL 0	FL 20	FL 25	FL 35	FL 50
FA 0	FA 1		FA 2	FA 3
200 m ³ /h	500 m ³ /h	700 m ³ /h	1000 m ³ /h	1500 m ³ /h



We recommend the following maximum air volume rate:

	FL 15	FL 20
	FLT 15	FLT 20
	FLTS 15	FLTS 20
KF 1	FF 15	FF 20
100 m ³ /h	350 m ³ /h	500 m ³ /h



Application · Realisation · Dimensions · Installation

Grease filter type FB

Filter cell and mounting frame of stainless steel, without dripping gutter

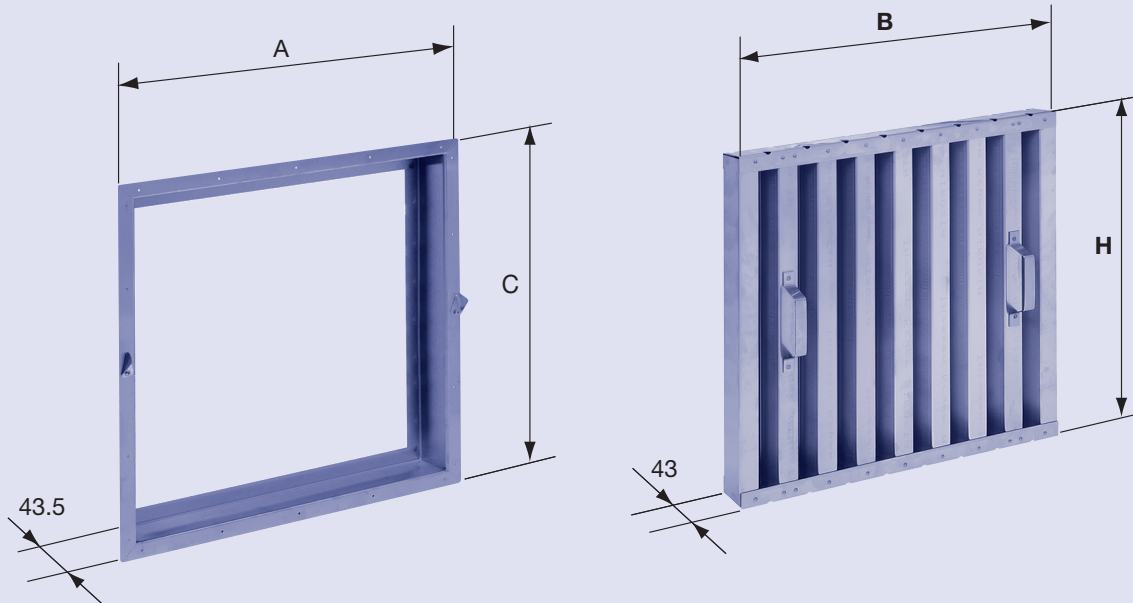
Application

The grease filters are used in kitchen hoods or in exhaust air ducts as grease or vapor separators. They are suitable for exhaust ventilation in the kitchen at hotels, canteens and hospitals, etc. The grease filters protect fans, ducts and facades from grease and contamination.

Realisation

Stainless sheet metal, V2A

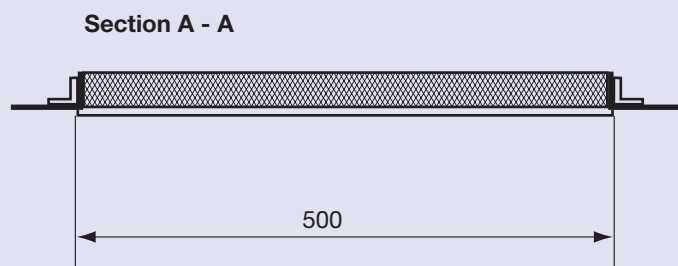
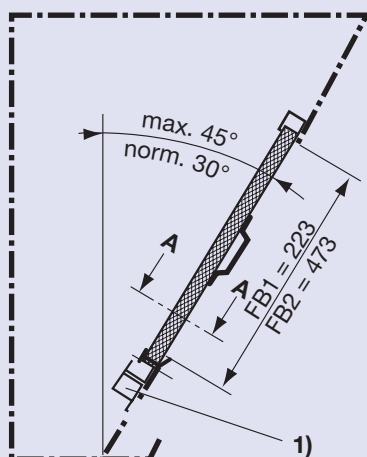
Dimensions type FB and ER



Type	ND	B	H	A	C	Recess		Recommended max. volumen flow rate [m³/h]
						with ER	without ER	
FB 1	500×250	498	248	554	304	511×261	500×223	400 - 500
FB 2	500×500	498	498	554	554	511×511	500×473	800 - 1000

Installation in exhaust air hood

FB without mounting frame ER



1) Grease collection groove inclined towards drain sleeve

Application · Realisation · Dimensions · Installation

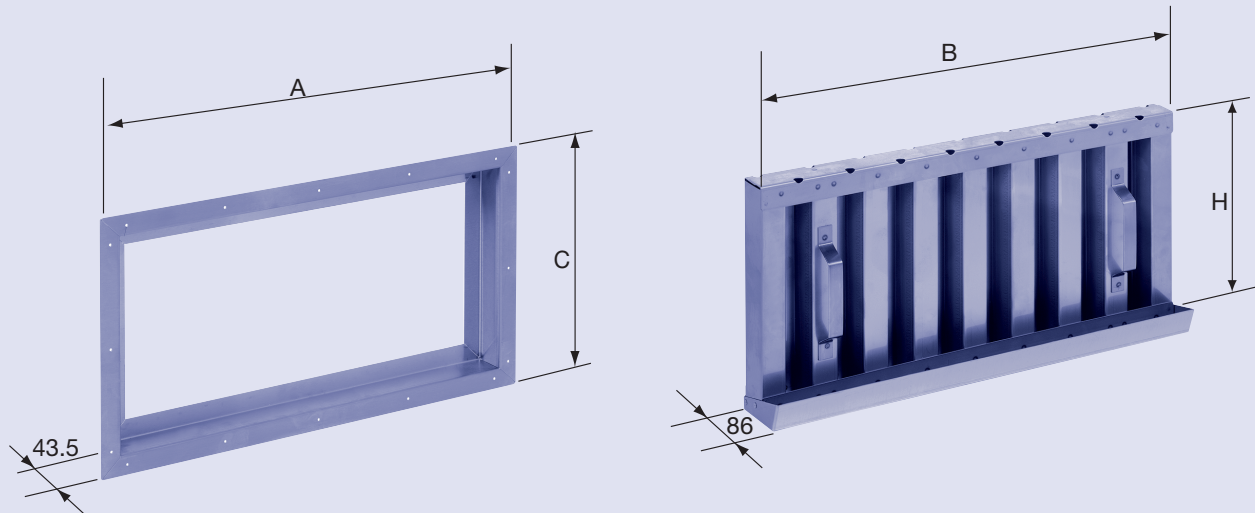
Grease filter type FBW

Filter cell with dripping gutter and mounting frame of stainless steel

Features

- Easy to install
- Excellent degree of separation
- High resistance to temperature
- Flameproof, i.e. flames will not pass through
- Easy to take off and easy to clean in a dishwasher (twice the week for best results)

Dimensions type FBW and ER

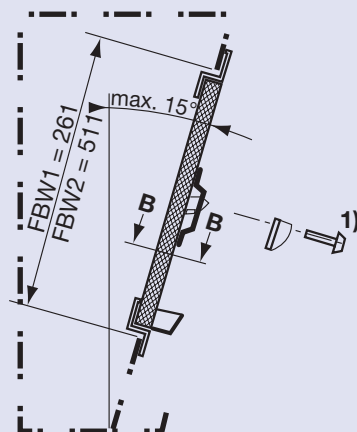


Type	ND	B	H	A	C	Recess with ER	Recommended max. volumen flow rate [m³/h]
FBW 1	500×250	499	249	554	304	511×261	400 - 500
FBW 2	500×500	499	499	554	554	511×511	800 - 1000

Other dimensions on request

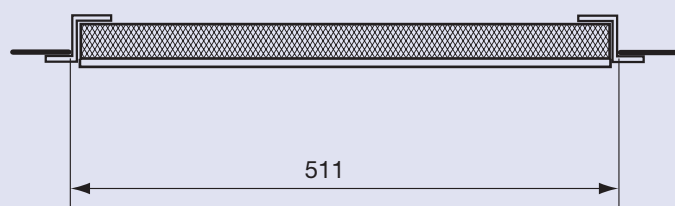
Installation in exhaust air hood

FB/FBW with mounting frame ER



- 1) Pop-Rivet Ø3.2 (on-site)
TTF/D429 (3.5-4.5 mm) stainless (König)

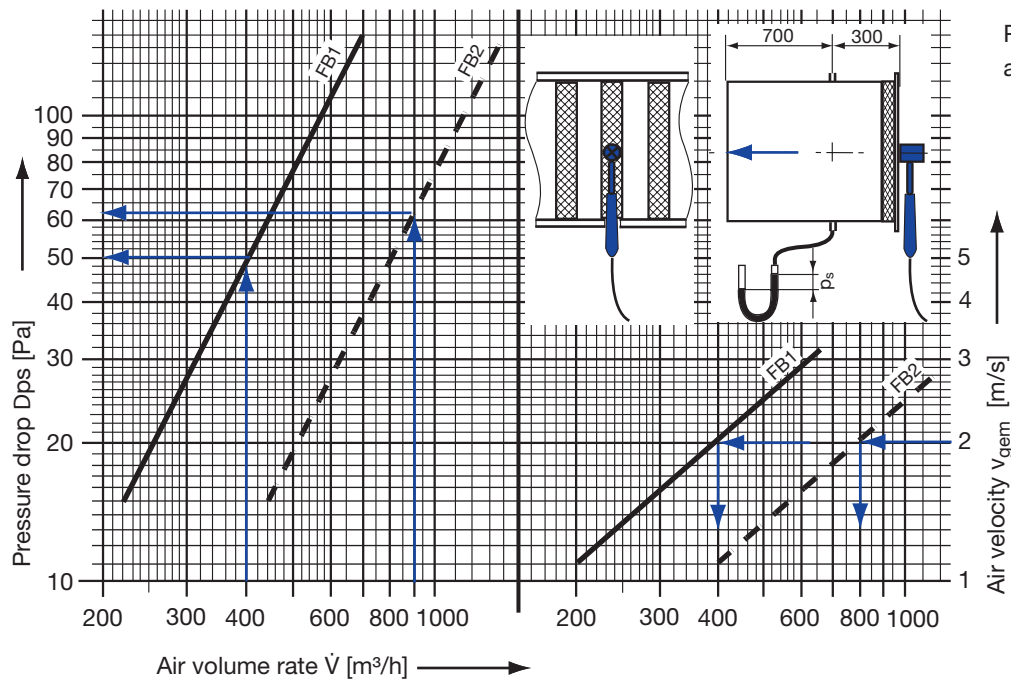
Section B - B



Included are 2 snap-type fasteners

Technical Data

Selection diagram



Place a vane anemometer \varnothing about 25 mm in the central area.

Dimensions

1 FB1	500×250	2.3 kg	1 FBW1	500×250	2.8 kg	1 ER1	503×253	1.1 kg
1 FB2	500×500	3.9 kg	1 FBW2	500×500	4.4 kg	1 ER2	503×503	1.5 kg