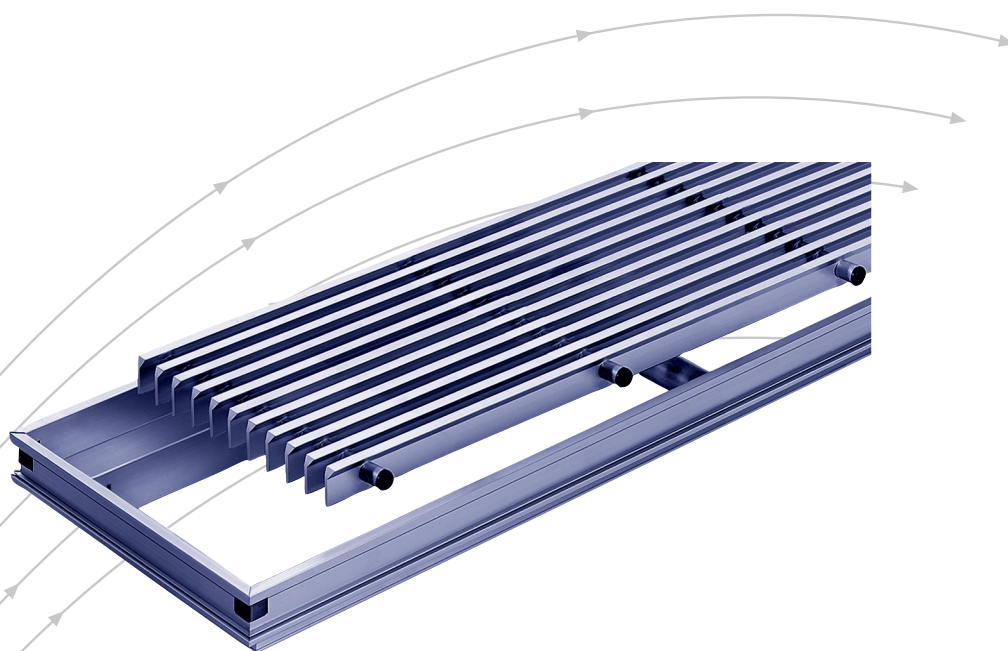


Floor grille

Type BG



TROX[®] TECHNIK



The art of handling air

TROX HESCO Schweiz AG
Walderstrasse 125
Postfach 455
CH-8630 Rüti ZH

Tel. +41 55 250 71 11
Fax +41 55 250 73 10
www.troxhesco.ch
info@troxhesco.ch

Contents · Application · Construction · Quick sizing tables

Contents

Construction · Application · Quick sizing tables _____
2

Quick sizing tables · Dimensions _____ 3-5

Installation examples _____ 6

The floor grilles made of light metal are well-designed, accessible air terminal devices.

Application

BG are used as supply or extract grilles in floors or railing. The BGs with installation subframes are particularly suitable for coverings of under-floor heating convectors. The removable grille core makes cleaning easy.

Construction

Floor grilles made of light metal, colourless anodised, consist of an outer frame with inlaid slat grating. This is fixed with plastic grey buffers. Damper unit consists of galvanised steel frame with standard light metal blades.

Quick sizing

Preferred sizes type BGF..., out of stock

Nennbreite B [mm]	Nennhöhe		
	ZL [m ³ /h]	H [mm]	AL [m ³ /h]
40	98	57	147
50	122	57	183
60	147	57	220
75	183	57	274
100	245	57	367
150	306	57	459

Base: straight inlet and outlet flow

ZL = Supply air, $V_{rms} = 2.0 \text{ m/s}$, $\Delta p_s = 4 \text{ Pa}$

AL = Extract air, $V_{rms} = 3.0 \text{ m/s}$, $\Delta p_s = 7.5 \text{ Pa}$

BGFS30(MR) 600 x 57 mm

Lw at nominal size 600 x 57 mm:

LwZL = < 20 dB(A), LwAL = 21 dB(A)

Quick sizing tables · Dimensions

Preferred sizes type BGU..., out of stock

Nennbreite B [mm]	Nennhöhe								
	ZL [m³/h]	H [mm]	AL [m³/h]	ZL [m³/h]	H [mm]	AL [m³/h]	ZL [m³/h]	H [mm]	AL [m³/h]
450	98	95	147	184	145	276	270	195	405
550	122	95	183	230	145	345	337	195	505
650	147	95	220	276	145	414	405	195	607
800	183	95	274	345	145	517	506	195	759
1000	245	95	367	460	145	690	675	195	1012
1300	306	95	459	575	145	862	843	195	1265

Basis: straight inlet and outlet flow

ZL = Supply air, $V_{rms} = 2.0 \text{ m/s}$, $\Delta p_s = 4 \text{ Pa}$

AL = Extract air, $V_{rms} = 3.0 \text{ m/s}$, $\Delta p_s = 7.5 \text{ Pa}$

BGUG30(MR) 650 × 145 mm

L_w at nominal size 650 × 145 mm:

$L_{wZL} = < 20 \text{ dB(A)}$, $L_{wAL} = 24 \text{ dB(A)}$

Legend

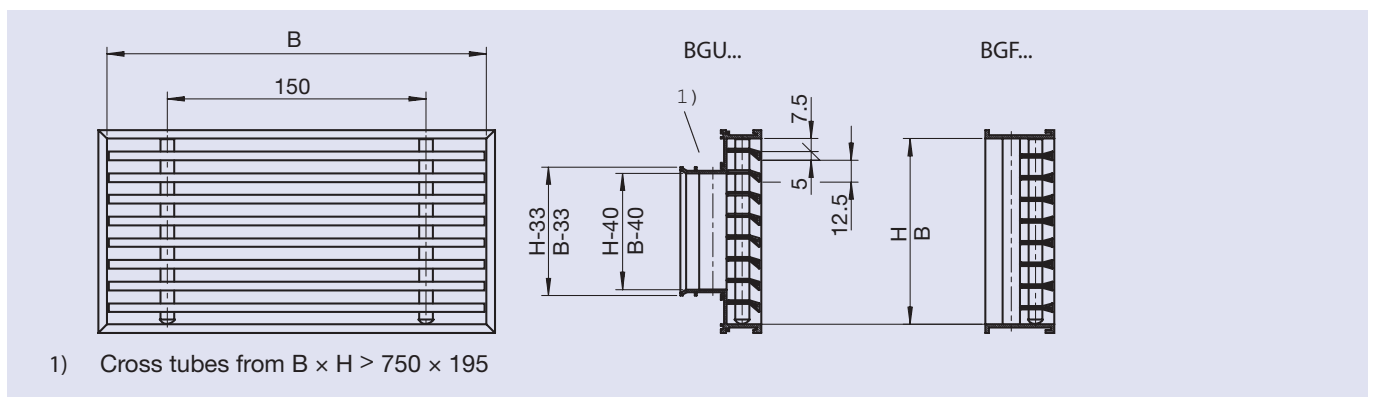
V_{rms} = effect. Discharge velocity

Δp_s = Pressure loss status

L_w = Sound power level

Dimensions

B = Nominal width, H = Nominal height = Frame mass in the light



Preferred sizes type BGF.., out of stock with F-frame

Nennbreite B [mm]						Nennhöhe H [mm]
400	500	600	750	1000	1250	57

Preferred type BGU..., out of stock with U-frame

Nennbreite B [mm]						Nennhöhe H [mm]	
450	550	650	800	1050	1300	95	
						145	
						195	

Special sizes

Floor grilles can be produced in any desired nominal length B, but from a nominal length greater than 2000 mm, they are delivered in individual sections.

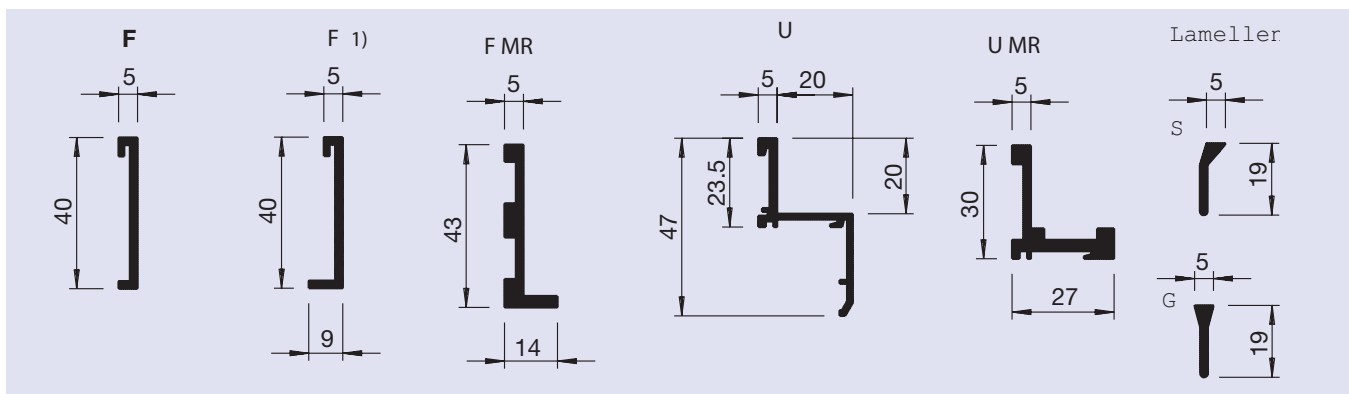
Minimum length = 200 mm.

Due to the blade pitch, the nominal height H should correspond to one of the following weights.

H [mm]	BGF....					BGU....									
	32	45	57	70	82	95	107	120	132	145	157	170	182	195	usw
Anzahl Lamellen	2	3	4	5	6	7	8	9	10	11	12	13	14	15	

Dimensions

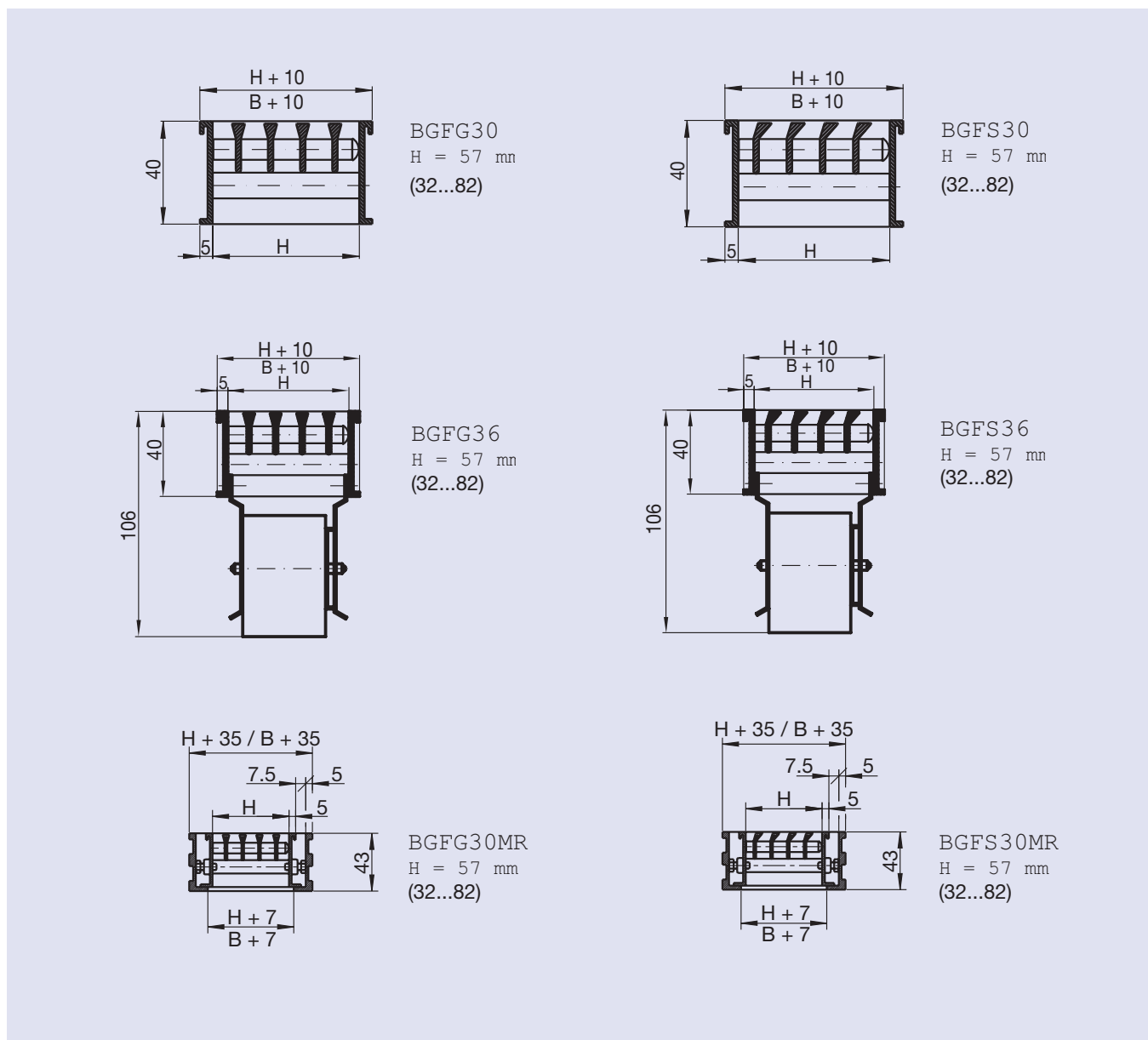
Profile cross-sections



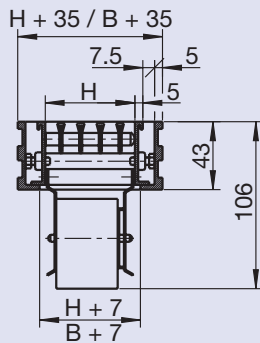
1) suitable for profile FMR

Free area

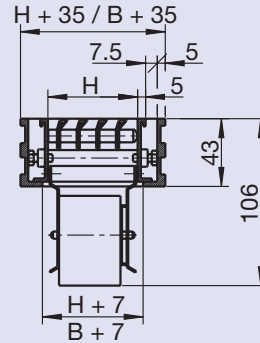
The executable nominal heights H are specified for the respective grille types.



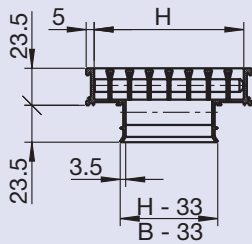
Dimensions



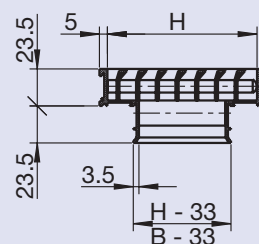
BGFG36MR
H = 57 mm
(32...82)



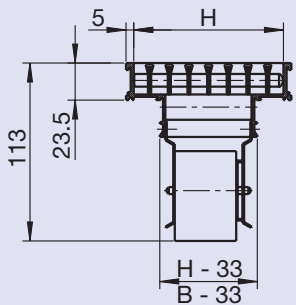
BGFS36MR
H = 57 mm
(32...82)



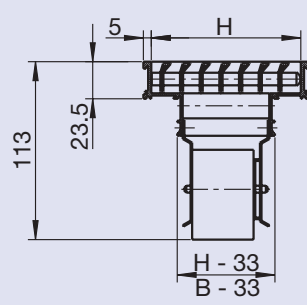
BGUG30
H = 95, 145, 195
(95...495)



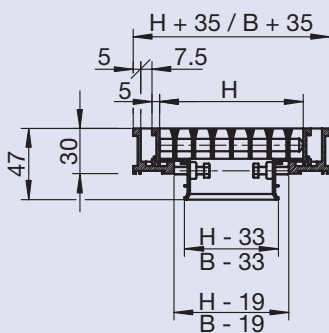
BGUS30
H = 95, 145, 195
(95...495)



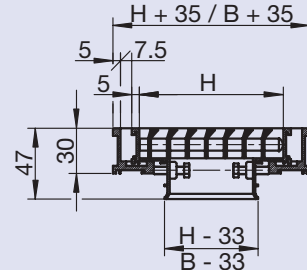
BGUG36
H = 95, 145, 195
(95...445)



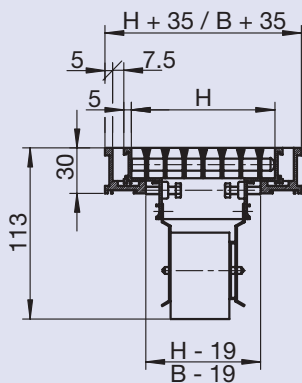
BGUS36
H = 95, 145, 195
(95...445)



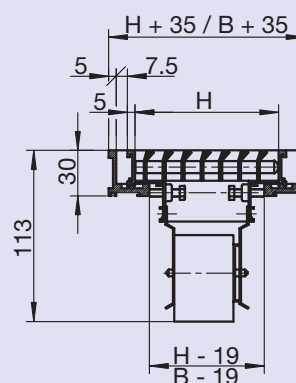
BGUG30MR
H = 95, 145, 195
(95...495)



BGUS30MR
H = 95, 145, 195
(95...495)



BGUG36MR
H = 95, 145, 195
(95...495)

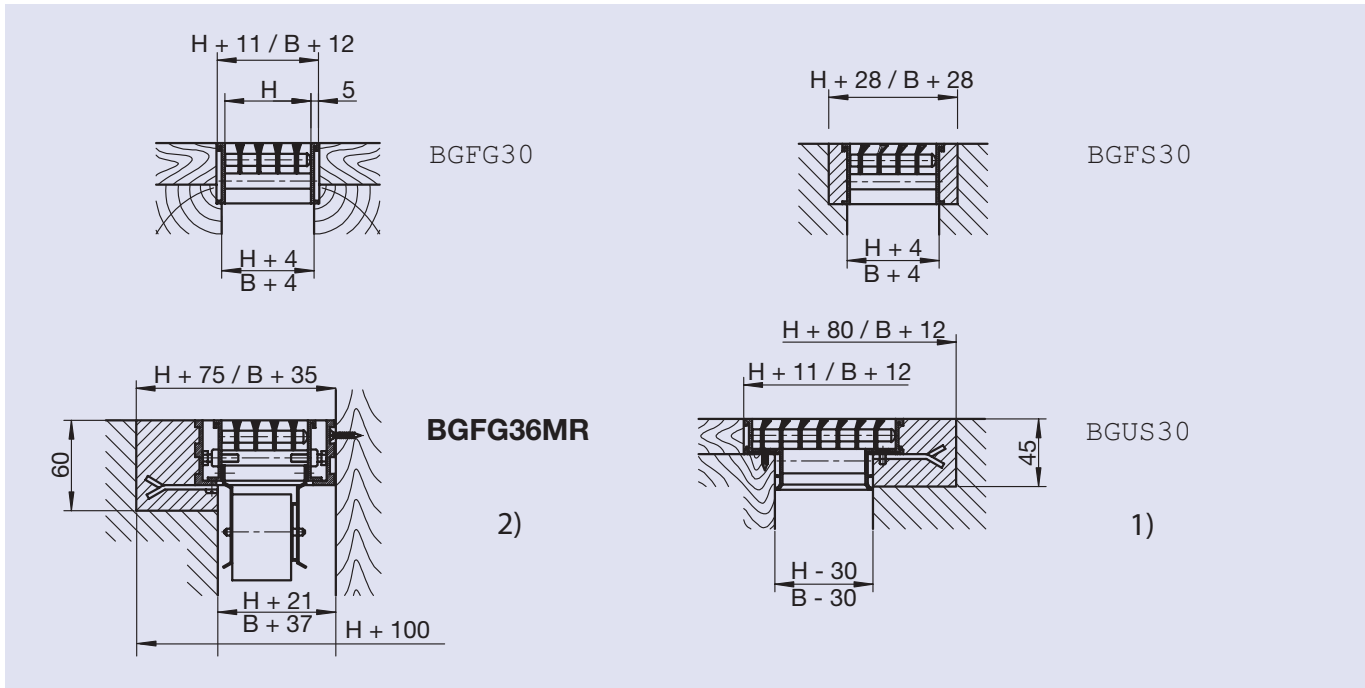


BGUS36MR
H = 95, 145, 195
(95...495)

Installation example

Installation example

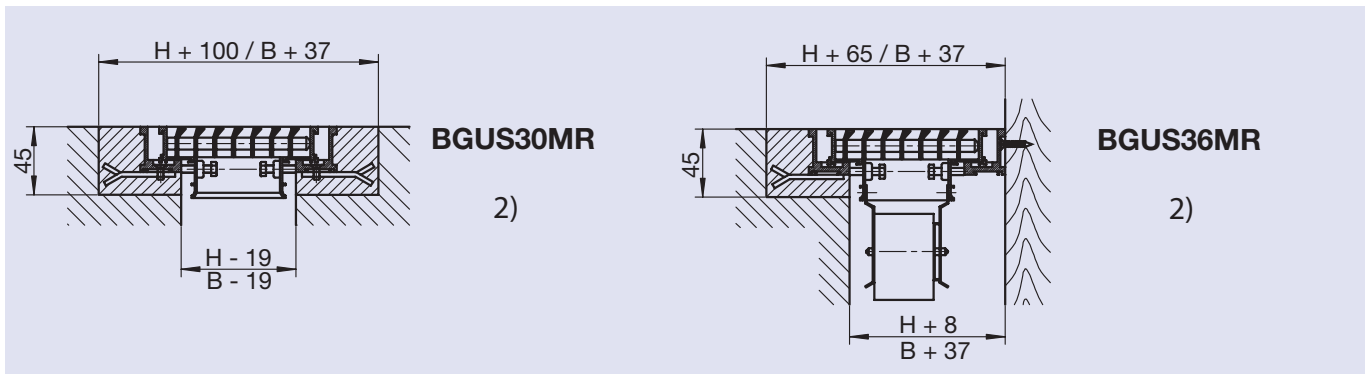
Overall dimensions BG with MR = $B + 35$ mm, $H + 35$ mm



- Wall connection frame (to mention when ordering)

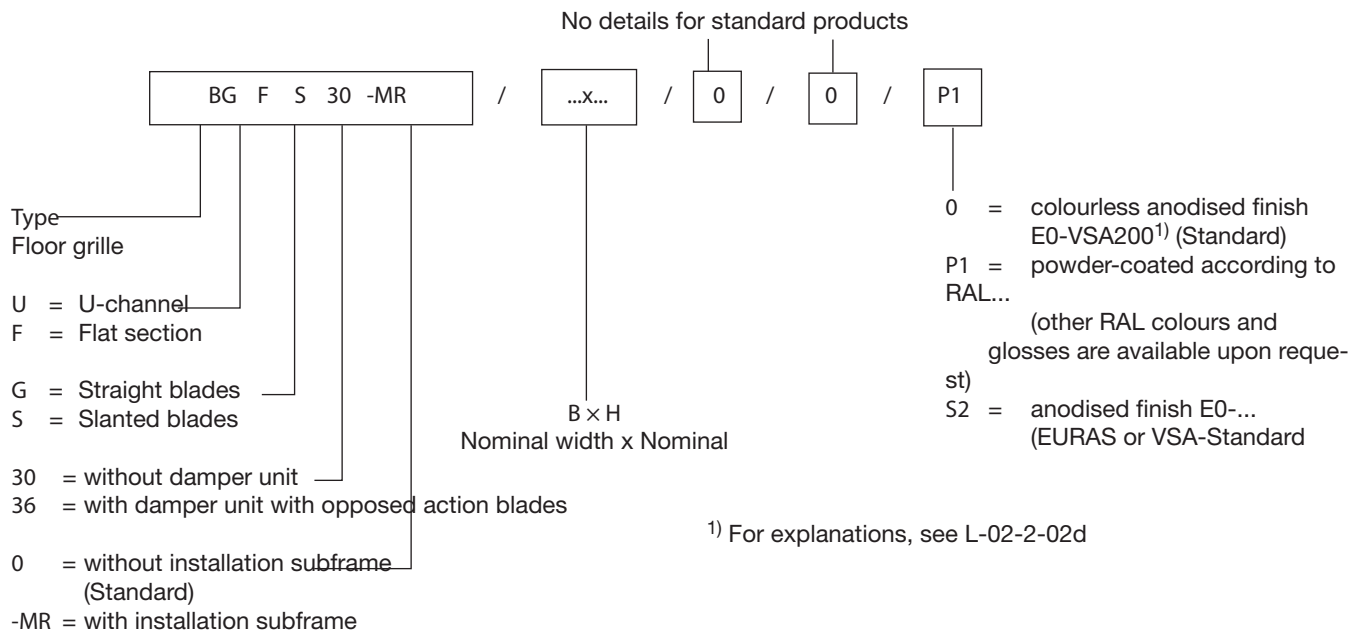
1) When installing the BGUS/G30 (walled variant) the wall anchor must be specified separately when ordering.

2) For installation with a wall frame, the fixing tab is only supplied in lengths over 600 mm (see instructions L-03-2-50).



- Wall connection frame (to mention when ordering)
 - We recommend the use of an installation subframe for floor heating convectors and BG with damper unit.

Order code



Order examples

10 pcs. BG F S 30 -MR / 950x95
20 pcs. BG U G 36 / 1050x195 / P1 / RAL9010

Specification text

Types

BGFG30, BGFS30, BGUG30, BGUS30

Floor grille made of stable and accessible light metal profiles, colourless anodised. Grilles consisting of an outer frame with a removable grille core. Blades arranged lengthwise, not adjustable. The grille core is fixed with plastic buffers.

Types

BGFG36, BGFS36, BGUG36, BGUS36

Floor grilles like the BGF..30 and BGU..30, but with rear-mounted damper unit and counter-rotating light metal blades (natural).

Types

BGFG30MR, BGFS30MR, BGUG30MR, BGUS30MR

Floor grille with installation subframe (without fixing tab) made of sturdy and accessible light metal profiles, colourless anodised. Consisting of a installation subframe, as well as a removable grille frame and grille core. Blades arranged lengthwise, not adjustable. Grille frame and grille core are fixed with plastic screws/buffers.

Types

BGFG36MR, BGFS36MR, BGUG36MR, BGUS36MR

Floor grille with installation subframe like BGF..30MR and BGU..30MR, but with the reverse-mounted damper unit and counter-rotating light metal blades (natural).

